

1 料号定义

Part No. definition

UCM **6050** - **150uh** **Min**
 ① ② ③ ④

① 产品代码 : 共模电感
 Product Code

② 产品尺寸 : 60×50×37.5mm
 Dimension

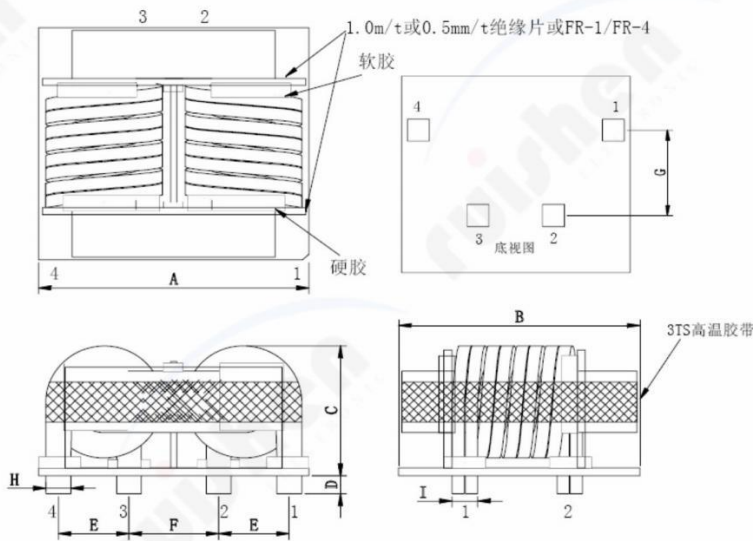
③ 电感值 : 例 150uh= 150uH
 Inductance

④ 公差范围 : Min 最小感值
 Tolerance

※ 工作温度范围: -40℃ ~ +125℃
 Operating temperature range : -40℃ ~ +125℃ (Including self-temperature rise)

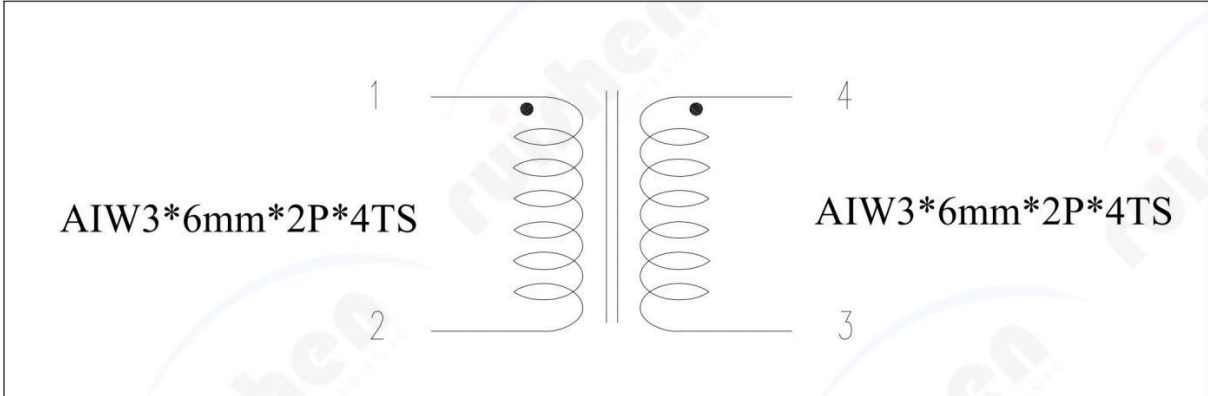
2 外形尺寸(mm)

Appearance and dimensions



A	B	C	D	E	F	G	H	I
65.0 Max	58.0 Max	24.0 MAX	37.5 Max	4.0±0.5	17.0±0.5	25.2±0.5	6.0±0.5	6.5±0.5

3 原理图 Schematic



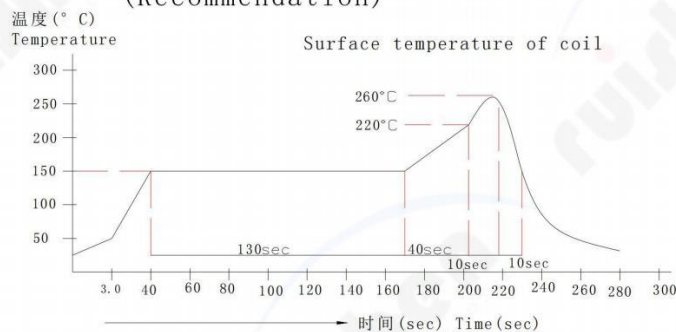
4 电气特性 Electrical characteristics

Description	Pin no.	Specification	Measuring conditions	METER
Inductance	1-2=4-3	150uH Min	100KHz, 0.25V	Chroma3250
DCR	1-2=4-3	0.1mΩ Max	@25°C	Chroma16502
IDC	1-2=4-3	180A Max	100KHz, 0.25V	Chroma1320
Hi-POT	COIL-COIL	AC 3KV	5mA/3SEC	VR562

5. GENERAL SPECIFICATION:

- 1 . Storage temp.: -40°C ----+125°C
- 2 . Operating temp.: -40°C----+125°C
- 3 . Resistance to solder heat: 250°C.10 secs
回流焊条件

The condition of reflow
(Recommendation)



6 包装规格 珍珠棉包装